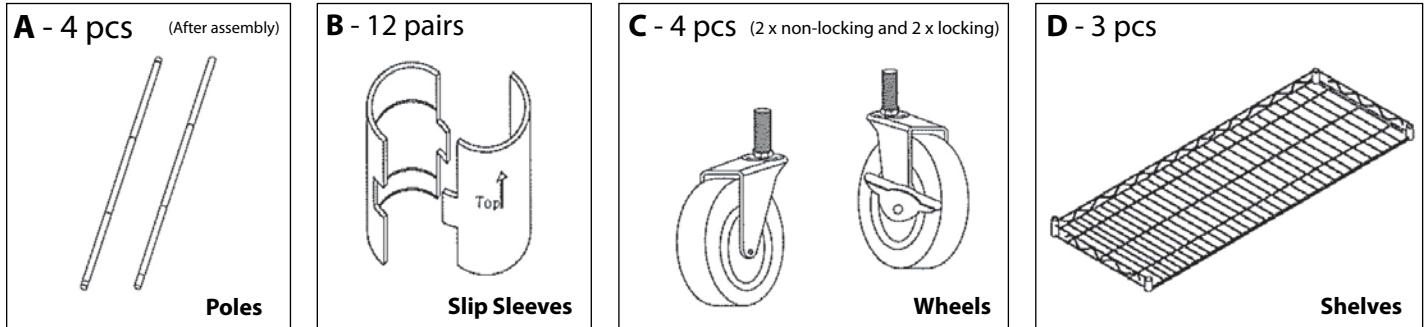




Mondi Premium Propagation Stand Assembly Instructions

Thank you for choosing the Mondri Premium Propagation Stand.

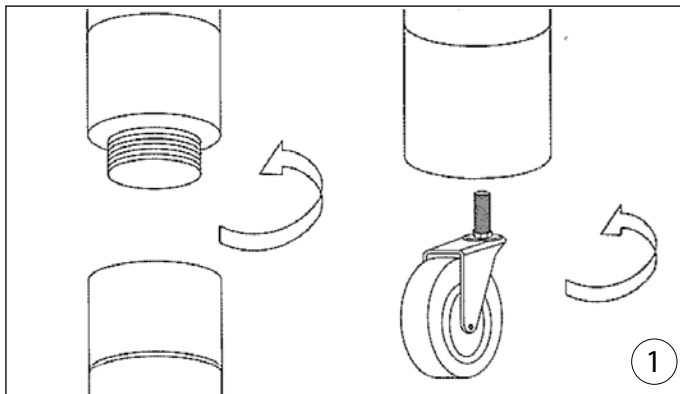
Its no-hassle design means you can quickly set up the shelf you need to optimize your growing efforts. Inside you'll find:



Build your Mondri Premium Propagation Stand in 4 easy steps:

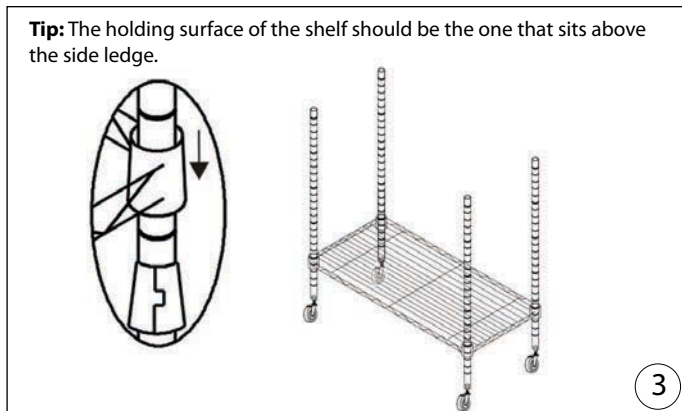
1. Set Up the Poles

Connect the pole segments by screwing them together, then screw the wheels into the bottom of each pole.



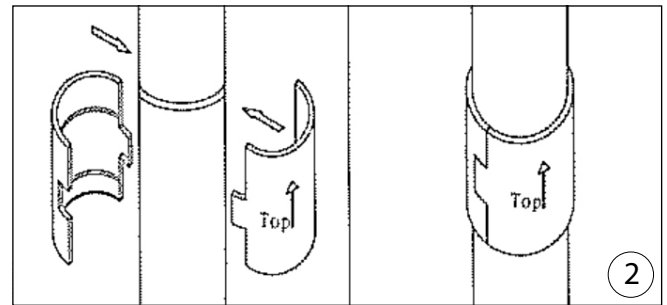
3. Secure Bottom & Middle Shelves

Slide the shelf (D) over the top of the 4 poles until it rests snugly over the sleeves. Repeat with the other shelf (D), if needed.



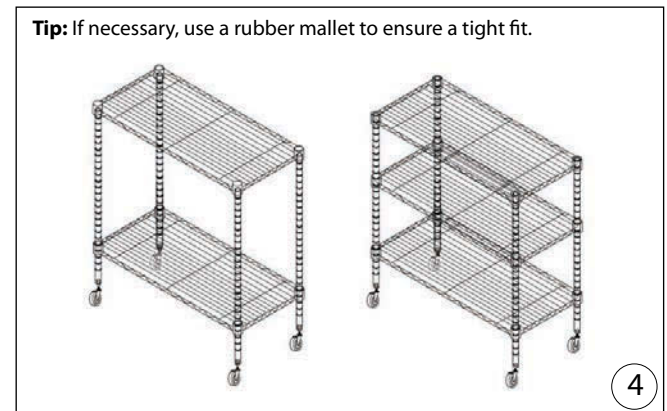
2. Fasten Slip Sleeves

Starting at the bottom, fasten a pair of slip sleeves (B) around the groove of each pole. Check that the sleeves are at equal height on all four poles to ensure your shelf sits level. If necessary, move the sleeves slightly up or down until it "snaps" into place.



4. Secure Top Shelf

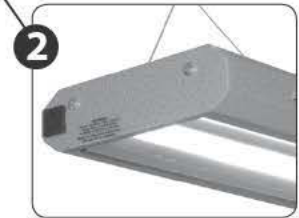
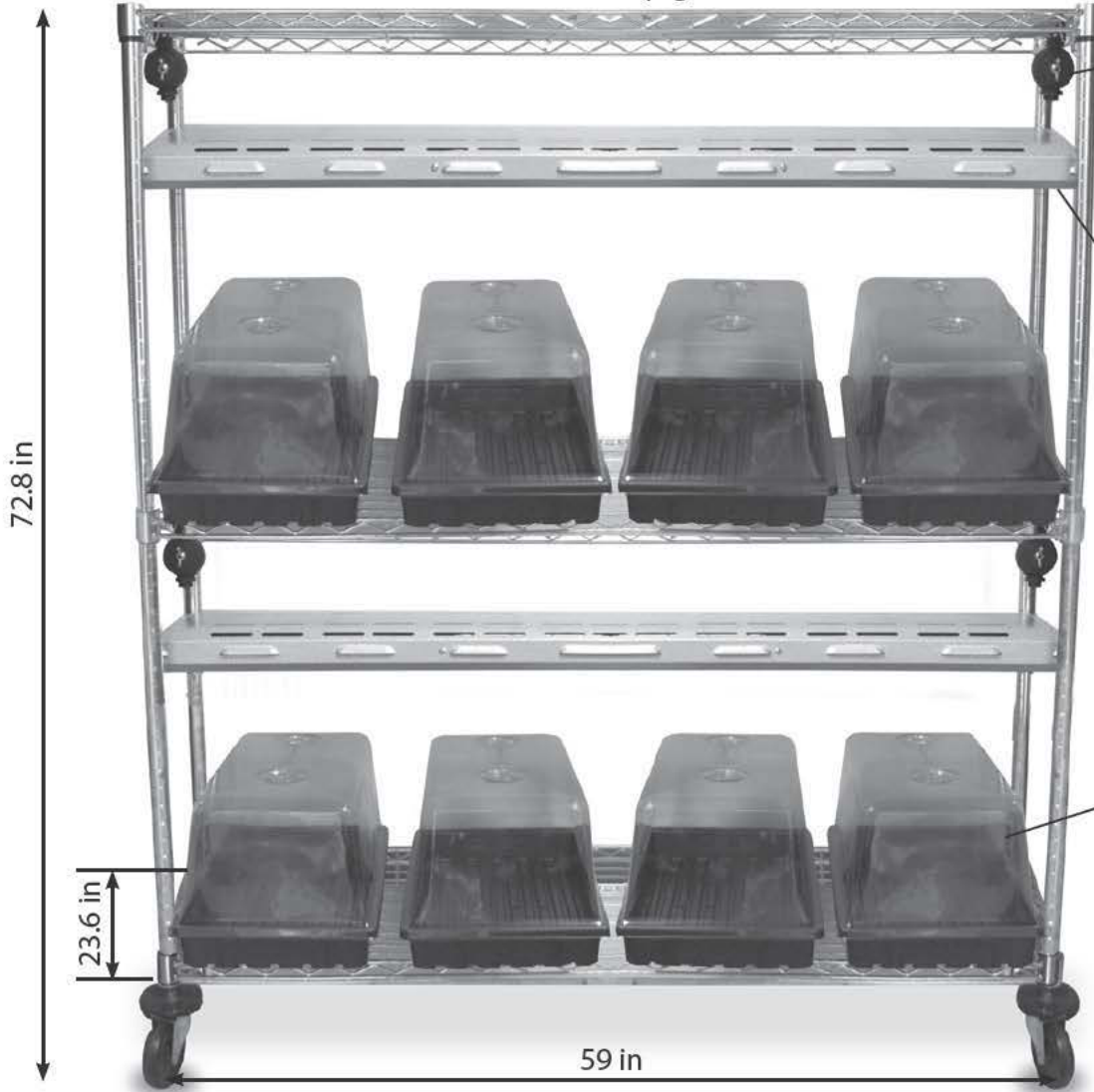
Fasten slip sleeves (B) around the groove at the top of the poles. Slide the top shelf (D) over the top of the 4 poles to complete assembly.



Tip: Use only soft detergents or gentle metal cleansers to maintain your Mondri Propagation Stand. Heavier chemically-based agents may scratch or otherwise tarnish the surface.

Complete your Mondi Premium Propagation Stand with These Proven Products:

Mondi Premium Propagation Stand



Items 1 & 2 available from www.professionalgardening.com



Mondi Easy Grow Combo
The Mini-Greenhouse, Propagation Tray and Tray Insert combine seamlessly into a propagation solution!

Model #G100



Model #G105



Model #G110



Model #G115



Model #G180



Model #G150



Model #G155



Products shown here are not included with the purchase of the Mondi Premium Propagation Stand, and is merely a sample configuration of how the Mondi Premium Stand can be used.

Find more Mondi products at www.mondiproducts.com

